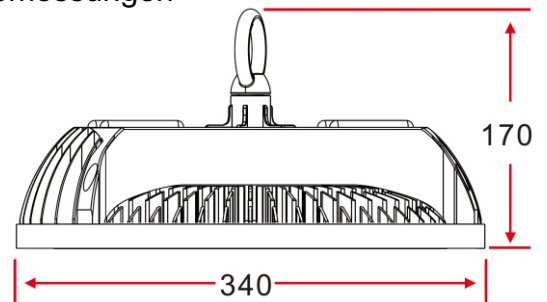




Abmessungen

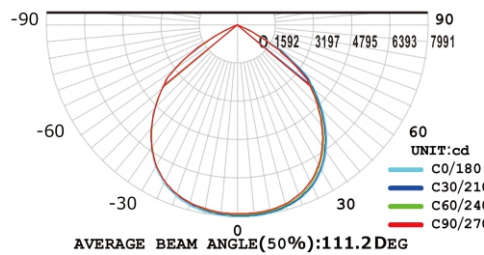


Elektrische Daten

Type	Leistung	Spannung	PF	Lichtstrom			
				@3000k	@4000k	@5000k	@6500k
Disc100	100W	90-305 VAC	> 0,95	9996lm	11054lm	11520lm	11760lm
Disc180	180W	90-305 VAC	> 0,95	17748lm	19638lm	20466lm	20898lm

Lichttechnische Daten

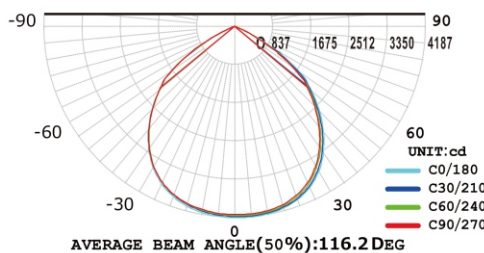
Disc100



Height	AVR E	CENTER E	Diameter
3.00m	273.88lx	887.47 lx	882.16 cm
5.00m	98.61lx	319.24 lx	1470.24cm
8.00m	38.97lx	124.12lx	2352.31cm
9.00m	30.62lx	98.20 lx	2647.39cm
10.00m	24.65lx	79.94lx	2941.47cm

Angle:109.3deg

Disc180



Height	AVR E	CENTER E	Diameter
3.00m	129.88lx	465.30 lx	965.16 cm
5.00m	46.61lx	167.24 lx	1609.24cm
6.00m	32.97lx	116.57lx	1931.31cm
7.00m	23.62lx	85.41 lx	2253.39cm
8.00m	18.65lx	65.81lx	2574.47cm

Angle:116.3deg